



OnSuperior Tensio FTS is the screen born to meet the needs to install screens on very high walls or ceilings and to enable the projection light to be lowered to suit the spectator correctly. The newly designed casing is suitable for on-wall or on-ceiling installation, features the new tensioning system with double lower bar and patented FTS™ Floating Tensio System. OnSuperior is available with a viewing area base up to 4500 mm and can also be supplied in a tensioned version without black borders.

See page **80**
for Technical data



FTS™ Patented superior floating tensioning system

Tensioning system consisting of a double lower bar and tensioning cables. Lower bar consist of two weights, one of which is responsible for the vertical force of the material and the other associated with the tensioning cable system is responsible for the flatness of the material horizontally.

Create your own screen with the PSS

- > **Personalized dimensions:** width and height
- > **Motor type:** standard motor or radio integrated motor (optional)
- > **Case:** available only with case
- > **Case color:** standard in White Emboss. Optional in any other color for an extra cost
- > **Standard Drop:** from 5 to 140 cm
- > **Projection surface fall:** back (standard) or reverse-roll (optional)
- > **Side of command/motor:** right (standard) or left (optional)

Projection Surfaces (see page 6)

- > VisionWhite / VisionWhitePro
- > AmbientGrey / HeliosWhite
- > ReferenceWhite / ReferenceGrey
- > VisionAcoustik
- > VisionRear DB and VisionRear, only without black borders

Standard Accessories

- > Kit with wall or ceiling mount brackets
- > Unipolar switch
- > Remote control (only for radio integrated version)

Optional Accessories

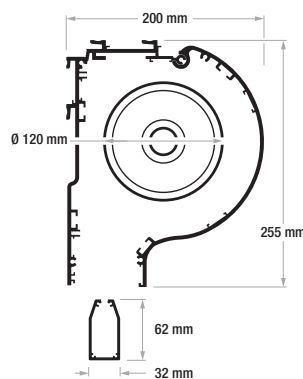
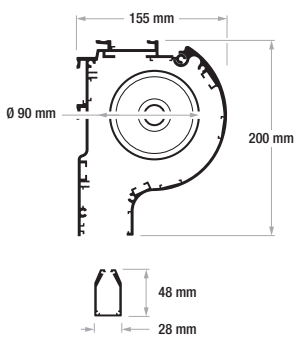
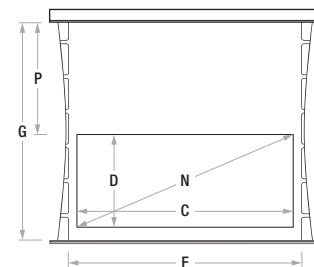
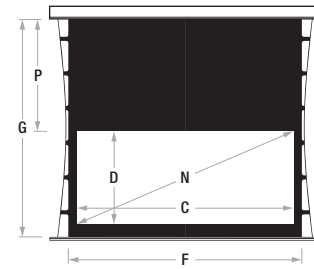
- > Interface to drive the screen in radio frequency with remote control (not included), 12V trigger, unipolar switch, dry contact or RS232
- > Receiver and infrared remote control
- > Extension brackets for screens up to 60 cm

PSS Formats

1.33:1	1.60:1	1.78:1	2.35:1	2.37:1	2.40:1
4:3	16:10	16:9	21:9		

OnSuperior FTS Floating Tensio System 50 mm borders

Aspect ratio	Viewing Width	Viewing Height	Diagonal Inches	Surface Width	Surface Height	Standard Drop	Total Maximum Drop	Packaging Dimensions	Net Weight	Gross Weight
	C	D	N	F	G	P	mm	mm	kg	kg
1,33 (4:3)	2000	1504	99	2280	1604	50	1400	2422x340x460	61	71
	2500	1880	123	2830	1980	50	1400	2982x340x460	71	81
	3000	2256	148	3400	2356	50	1400	3563x340x460	79	90
	3500	2632	172	3960	2782	100	1350	4109x340x460	87	99
	4000	3008	197	4540	3158	100	1200	4700x340x460	93	106
1,60 (16:10)	2000	1250	93	2260	1350	50	1400	2392x340x460	61	71
	2500	1563	116	2790	1663	50	1400	2931x340x460	71	81
	3000	1875	139	3330	1975	50	1400	3490x340x460	79	90
	3500	2188	162	2890	2338	100	1350	4024x340x460	87	99
	4000	2500	186	4440	2650	100	1350	4589x340x460	93	106
1,78 (16:9)	2000	1124	90	2240	1224	50	1400	2376x340x460	61	71
	2500	1404	113	2770	1504	50	1400	2908x340x460	71	81
	3000	1685	135	3310	1785	50	1400	3458x340x460	79	90
	3500	1966	158	3860	2166	100	1350	3986x340x460	87	99
	4000	2247	181	4400	2397	100	1350	4500x340x460	93	106
4500	2528	203	4950	2678	100	1350	5095x340x460	110	123	
2,35 (21:9)	2000	851	86	2220	951	50	1400	2346x340x460	61	71
	2500	1064	107	2740	1164	50	1400	2866x340x460	71	81
	3000	1277	128	3260	1377	50	1400	3398x340x460	79	90
	3500	1489	150	3800	1639	100	1350	3915x340x460	87	99
	4000	1702	171	4330	1852	100	1350	4450x340x460	93	106
4500	1915	193	4850	2065	100	1350	4983x340x460	110	123	
2,37	2000	844	85	2220	944	50	1400	2345x340x460	61	71
	2500	1055	107	2740	1155	50	1400	2865x340x460	71	81
	3000	1266	128	3260	1366	50	1400	3396x340x460	79	90
	3500	1477	150	3800	1627	100	1350	3914x340x460	87	99
	4000	1688	171	4330	1838	100	1350	4448x340x460	93	106
4500	1899	192	4850	2049	100	1350	4980x340x460	110	123	
2,4	2000	833	85	2220	933	50	1400	2345x340x460	61	71
	2500	1042	107	2740	1142	50	1400	2865x340x460	71	81
	3000	1250	128	3260	1350	50	1400	3396x340x460	79	90
	3500	1458	149	3800	1608	100	1350	3911x340x460	87	99
	4000	1667	171	4330	1817	100	1350	4444x340x460	93	106
4500	1875	192	4850	2025	100	1350	4976x340x460	110	123	



In certain circumstances, due to the surface's height, it is necessary to use a case with the rolling tube of 120 mm.



Surface Fireproof Certifications